

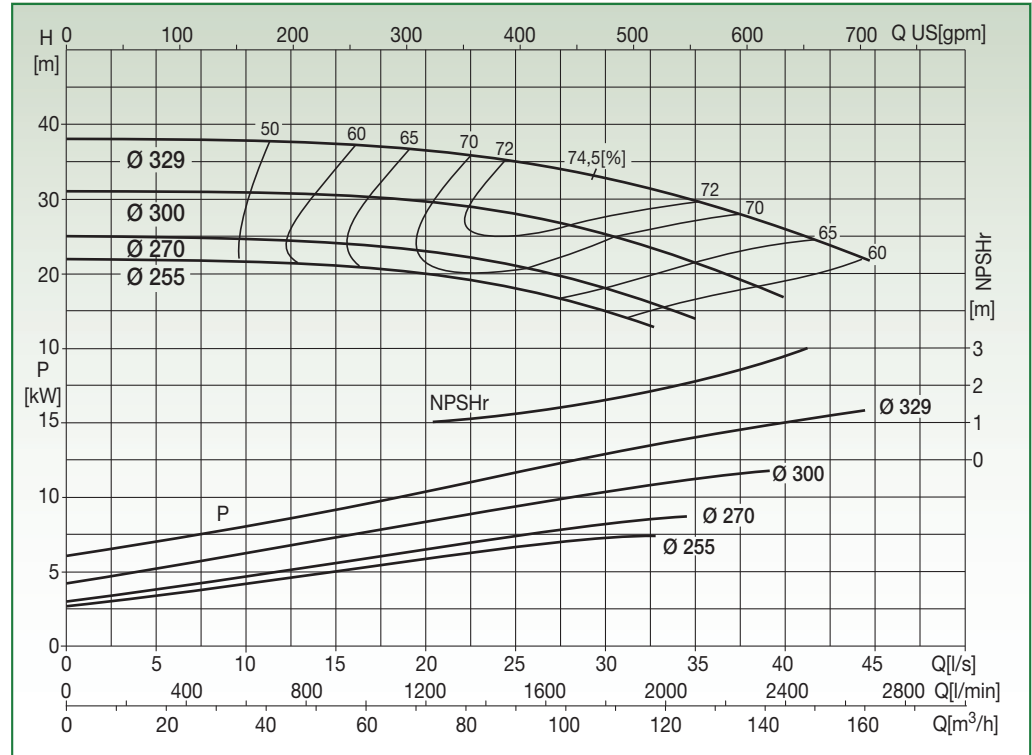
## N4SG 80-32

## EN 733 STANDARD PUMP 1450 rpm



Liquid temp.: -10°C +120°C  
Max. ambient temp.: +40°C

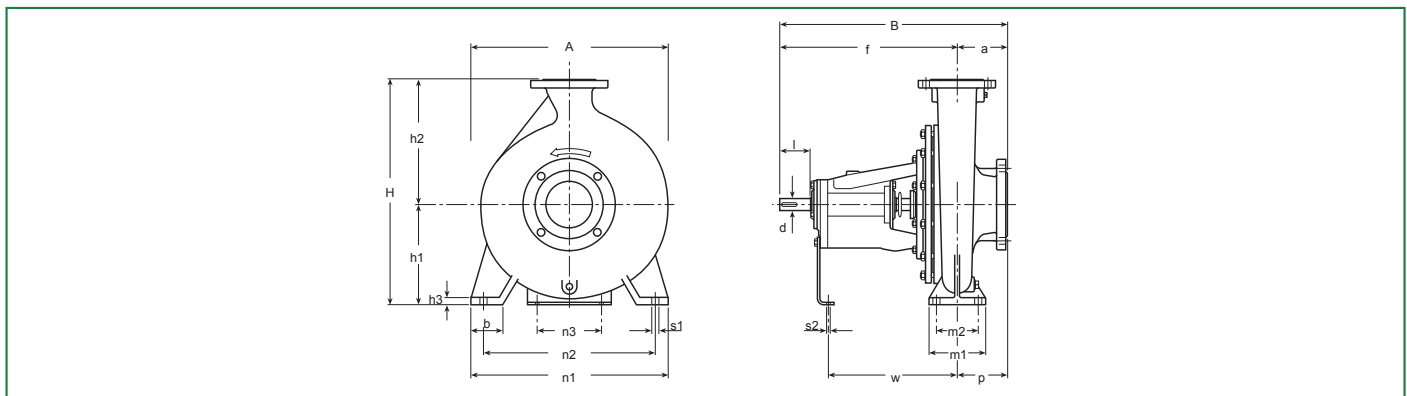
Special versions on request



Test to UNI EN ISO 9906 level 2 - Test liquid: water ( $\rho = 1000 \text{ kg/m}^3$ , kinematic viscosity  $\nu = 1 \text{ mm}^2/\text{s}$ )  
Tolerance on performance curves to UNI EN ISO 9906 Annex A

## PERFORMANCE DATA

Code	Type	Motor P2 Rated		Capacity														
		[kW]	[HP]	l/s	H [m]													
					0	5	10	15	20	25	30	32,5	35	40	45			
10038158	N4SG 80-32.255	7,5	10	0	18	36	54	72	90	108	17	126	144	162				
10038159	N4SG 80-32.270	9	12,5	22	21,8	21,6	21,1	20	18	15	13							
10038160	N4SG 80-32.300	15	20	25	25	24,6	24,1	23	21,1	18	16,1	13,9						
10038161	N4SG 80-32.329	22	30	31	31	30,1	30,5	29,6	28	25,3	23,6	21,4	16,8					
				38	38	37,8	37,5	36,6	35	32,8	31,4	29,8	26,1	21,6				



## DIMENSIONAL DATA

Type	DNA	DNM	Pump														Shaft		Key	Weight [kg]	A [mm]	B [mm]	H [mm]	Area [m²]	Vol. [m³]	
			a	f	h <sub>1</sub>	h <sub>2</sub>	b	m <sub>1</sub>	m <sub>2</sub>	n <sub>1</sub>	n <sub>2</sub>	n <sub>3</sub>	h <sub>3</sub>	s <sub>1</sub>	s <sub>2</sub>	w	p	d								l
N4SG 80-32	100	80	125	470	250	315	80	160	120	400	315	110	16	18	14	342	125	32	80	10x8	120	400	595	565	0,24	0,13