

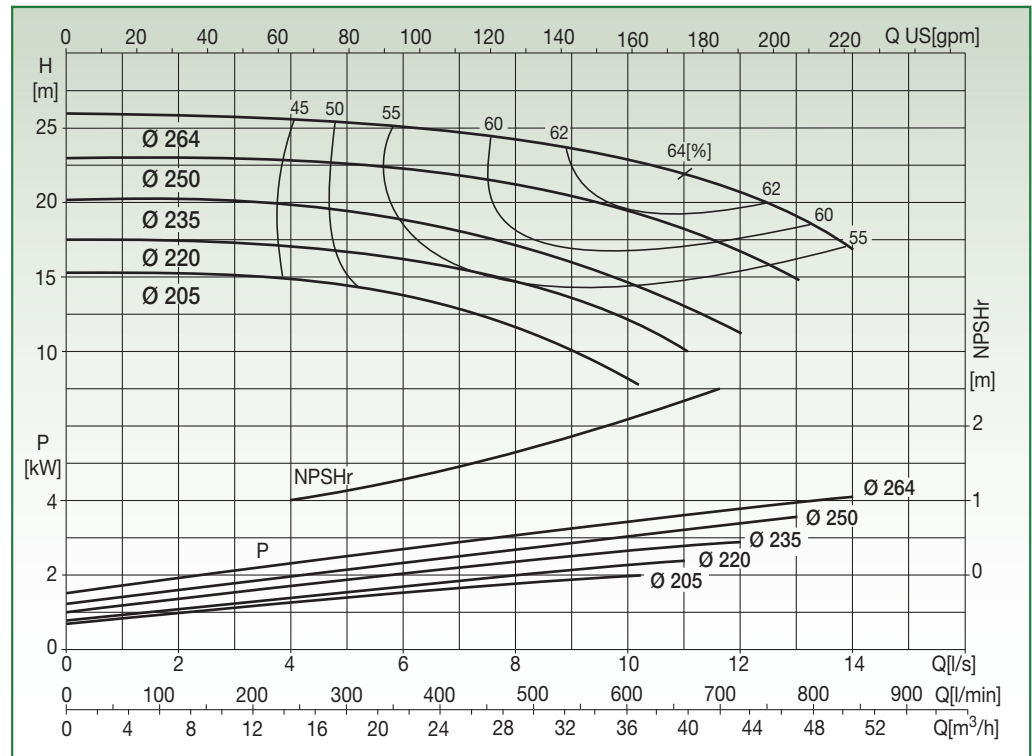
N4SG 50-26

EN 733 STANDARD PUMP 1450 rpm



Liquid temp.: -10°C +120°C
Max. ambient temp.: +40°C

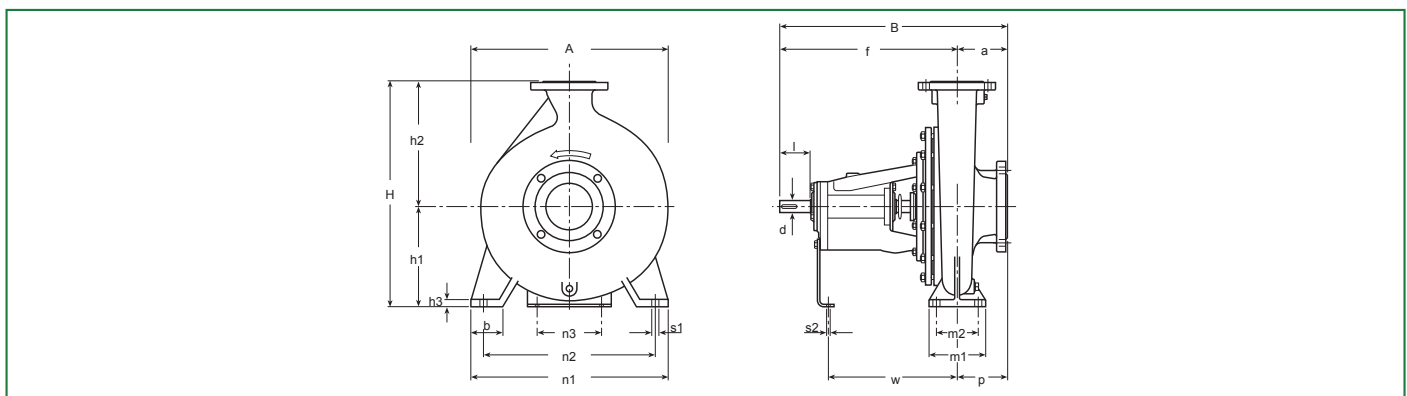
Special versions on request



Test to UNI EN ISO 9906 level 2 - Test liquid: water ($\rho = 1000 \text{ kg/m}^3$, kinematic viscosity $\nu = 1 \text{ mm}^2/\text{s}$)
Tolerance on performance curves to UNI EN ISO 9906 Annex A

PERFORMANCE DATA

| Code | Type | Motor P2 Rated | | Capacity | | | | | | | | | | | | | | | |
|----------|----------------|----------------|------|----------|-------|------|------|------|------|------|------|------|------|------|--|--|--|--|--|
| | | [kW] | [HP] | l/s | H [m] | | | | | | | | | | | | | | |
| | | | | | 0 | 2 | 4 | 6 | 8 | 10 | 11 | 12 | 13 | 14 | | | | | |
| | | | | m³/h | 0 | 7,2 | 14,4 | 21,6 | 28,8 | 36 | 39,6 | 43,2 | 46,8 | 50,4 | | | | | |
| 10038100 | N4SG 50-26.205 | 2,2 | 3 | H [m] | 15,3 | 15,3 | 14,8 | 13,7 | 11,6 | 8,1 | | | | | | | | | |
| 10038101 | N4SG 50-26.220 | 3 | 4 | | 17,5 | 17,4 | 17 | 16,2 | 14,6 | 12,1 | 10,2 | | | | | | | | |
| 10038102 | N4SG 50-26.235 | 3 | 4 | | 20,2 | 20,3 | 19,8 | 18,8 | 17,1 | 14,6 | 13 | 11,2 | | | | | | | |
| 10038103 | N4SG 50-26.250 | 4 | 5,5 | | 22,9 | 23 | 22,8 | 22,2 | 21,2 | 19,4 | 18,2 | 16,7 | 14,8 | | | | | | |
| 10038104 | N4SG 50-26.264 | 5,5 | 7,5 | | 26 | 25,8 | 25,5 | 25,1 | 24,2 | 22,8 | 21,9 | 20,7 | 19,1 | 16,9 | | | | | |



DIMENSIONAL DATA

| Type | DNA | DNM | Pump | | | | | | | | | | | | | | Shaft | | Key | Weight [kg] | A [mm] | B [mm] | H [mm] | Area [m²] | Vol. [m³] | |
|------------|-----|-----|------|-----|----------------|----------------|----|----------------|----------------|----------------|----------------|----------------|----------------|----------------|----------------|-----|-------|----|-----|-------------|--------|--------|--------|-----------|-----------|------|
| | | | a | f | h ₁ | h ₂ | b | m ₁ | m ₂ | n ₁ | n ₂ | n ₃ | h ₃ | s ₁ | s ₂ | w | p | d | | | | | | | | l |
| N4SG 50-26 | 65 | 50 | 100 | 360 | 180 | 225 | 65 | 125 | 95 | 320 | 250 | 110 | 14 | 14 | 14 | 267 | 100 | 24 | 50 | 8x7 | 63 | 320 | 460 | 405 | 0,15 | 0,06 |