

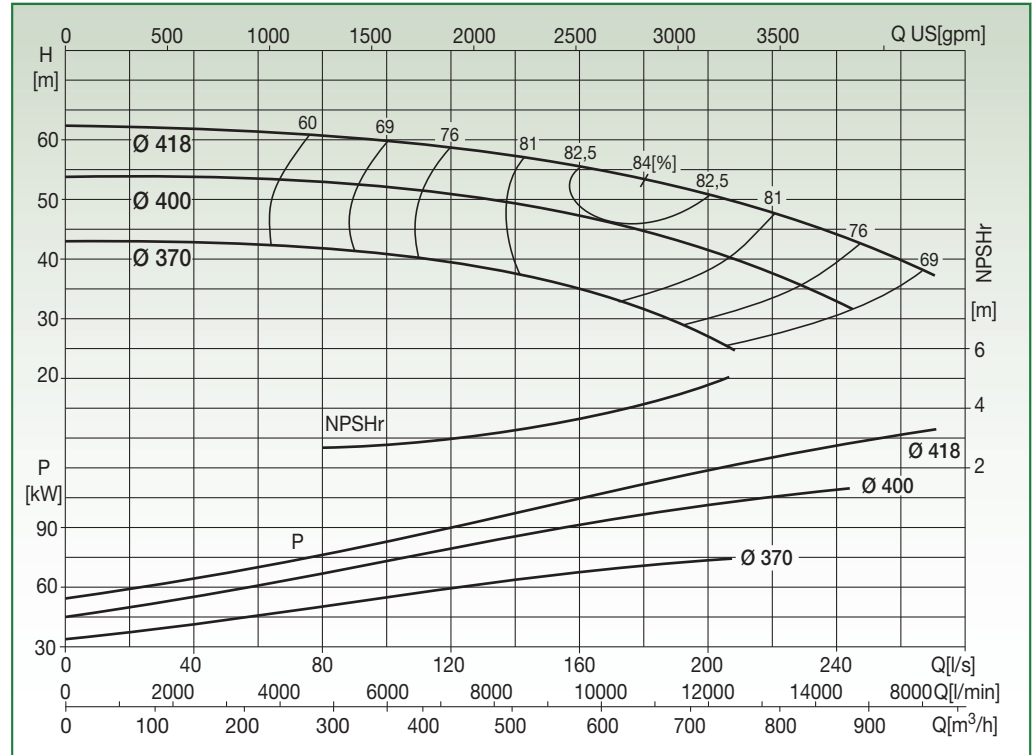
N4SG 200-40

EN 733 STANDARD PUMP 1450 rpm



Liquid temp.: -10°C +120°C
Max. ambient temp.: +40°C

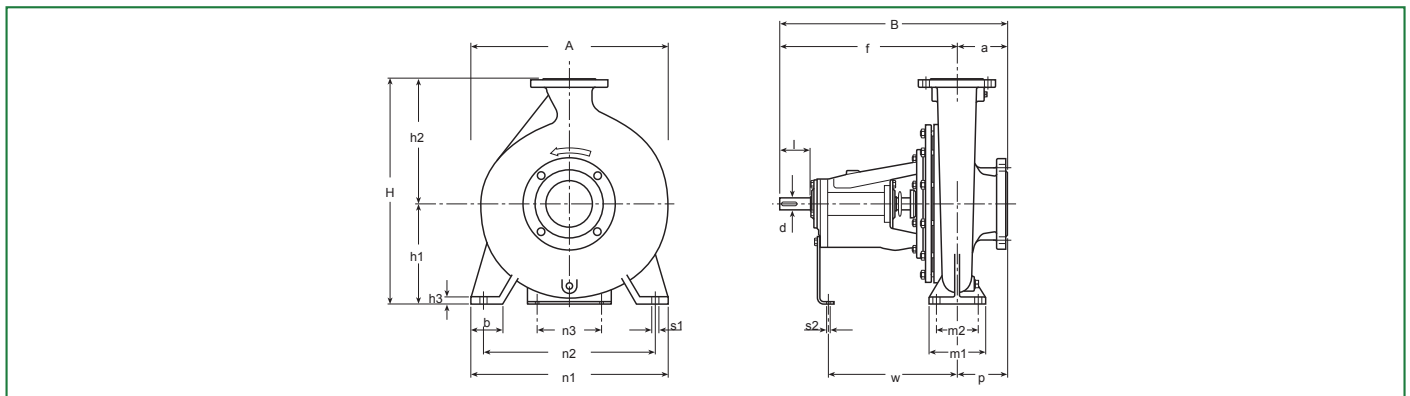
Special versions on request



Test to UNI EN ISO 9906 level 2 - Test liquid: water ($\rho = 1000 \text{ kg/m}^3$, kinematic viscosity $\nu = 1 \text{ mm}^2/\text{s}$)
Tolerance on performance curves to UNI EN ISO 9906 Annex A

PERFORMANCE DATA

Code	Type	Motor P2 Rated		Capacity								
		[kW]	[HP]	l/s	0	40	80	120	160	200	240	270
10038113	N4SG 200-40.370	75	100	H	43	42,8	41,7	39,4	35	26,9		
10038114	N4SG 200-40.400	132	180	H	53,8	53,8	52,9	50,8	47,3	41,5	32,7	
10038115	N4SG 200-40.418	160	215	H	62,2	61,8	60,7	58,7	55,5	50,8	44,1	37,4



DIMENSIONAL DATA

Type	DNA	DNM	Pump														Shaft		Key	Weight [kg]	A [mm]	B [mm]	H [mm]	Area [m²]	Vol. [m³]	
			a	f	h ₁	h ₂	b	m ₁	m ₂	n ₁	n ₂	n ₃	h ₃	s ₁	s ₂	w	p	d								l
N4SG 200-40	250	200	180	670	335	480	120	220	170	600	480	110	20	28	14	504	180	48	110	14x9	295	600	850	815	0,51	0,42