

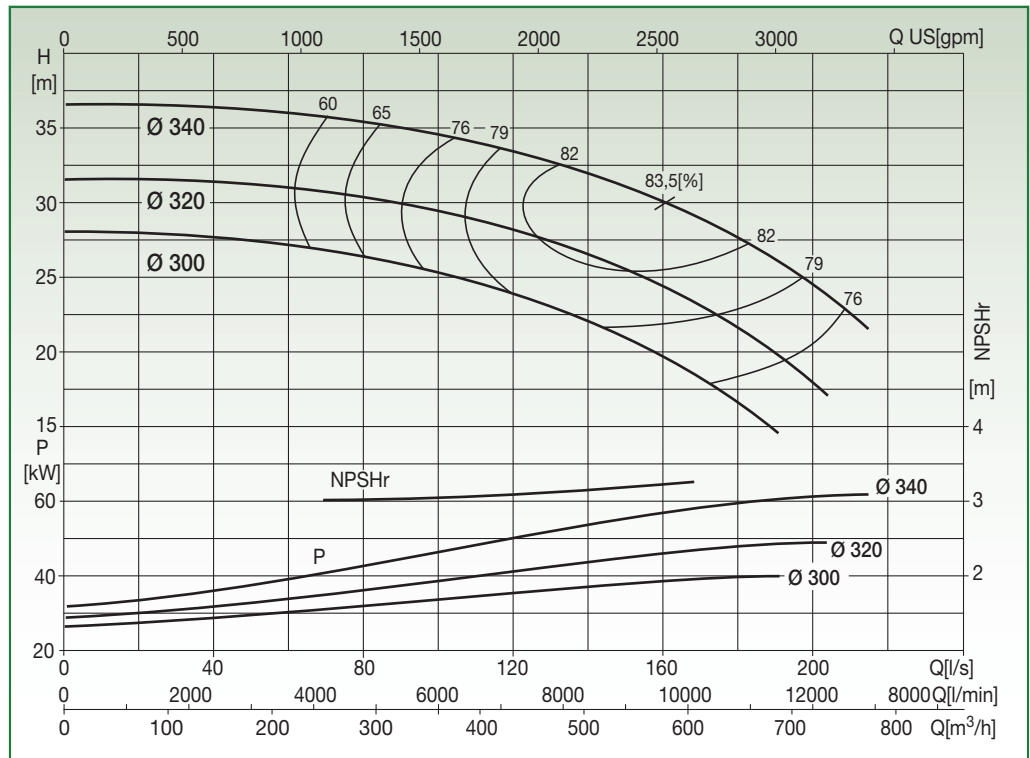
## N4SG 200-32

## EN 733 STANDARD PUMP 1450 rpm



Liquid temp.: -10°C +120°C  
Max. ambient temp.: +40°C

Special versions on request

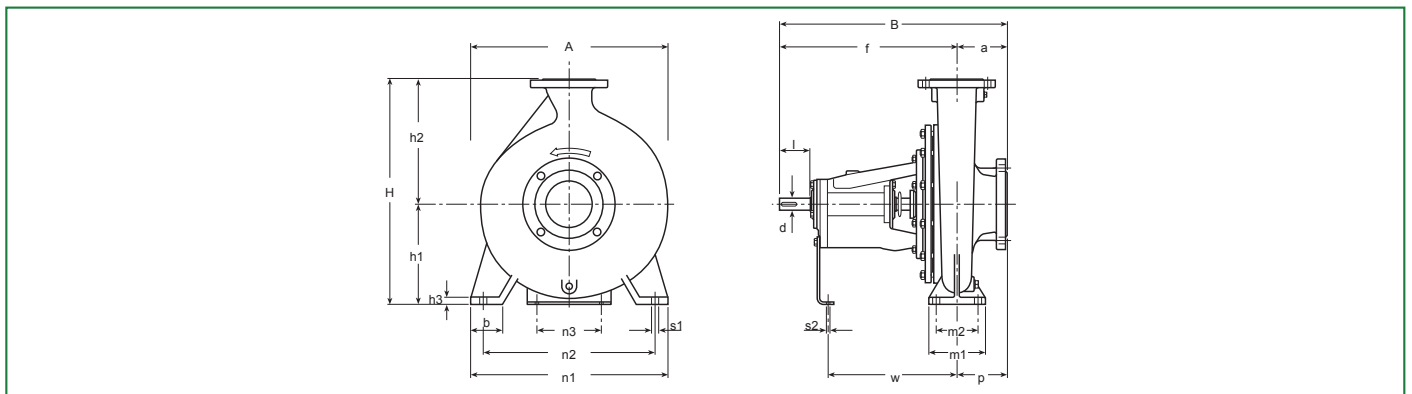


Test to UNI EN ISO 9906 level 2 - Test liquid: water ( $\rho = 1000 \text{ kg/m}^3$ , kinematic viscosity  $\nu = 1 \text{ mm}^2/\text{s}$ )  
Tolerance on performance curves to UNI EN ISO 9906 Annex A

BARE SHAFT

## PERFORMANCE DATA

Code	Type	Motor P2 Rated		Capacity								
		[kW]	[HP]	l/s	0	40	80	120	160	190	200	215
10038233	N4SG 200-32.300	45	60	m³/h	0	144	288	432	576	684	720	774
10038111	N4SG 200-32.320	55	75	H [m]	28	27,7	26,4	23,8	19,6	15		
10038112	N4SG 200-32.340	75	100		31,5	31,4	30,3	28,1	24,4	20	17,9	
					36,5	36,3	35,3	33,4	30,1	26,5	24,5	21,5



## DIMENSIONAL DATA

Type	DNA	DNM	Pump														Shaft		Weight [kg]	A [mm]	B [mm]	H [mm]	Area [m²]	Vol. [m³]		
			a	f	h <sub>1</sub>	h <sub>2</sub>	b	m <sub>1</sub>	m <sub>2</sub>	n <sub>1</sub>	n <sub>2</sub>	n <sub>3</sub>	h <sub>3</sub>	s <sub>1</sub>	s <sub>2</sub>	w	p	d							l	Key
N4SG 200-32	250	200	180	670	315	480	120	220	170	600	480	110	20	23	14	504	180	48	110	14x9	251	600	850	795	0,51	0,41