

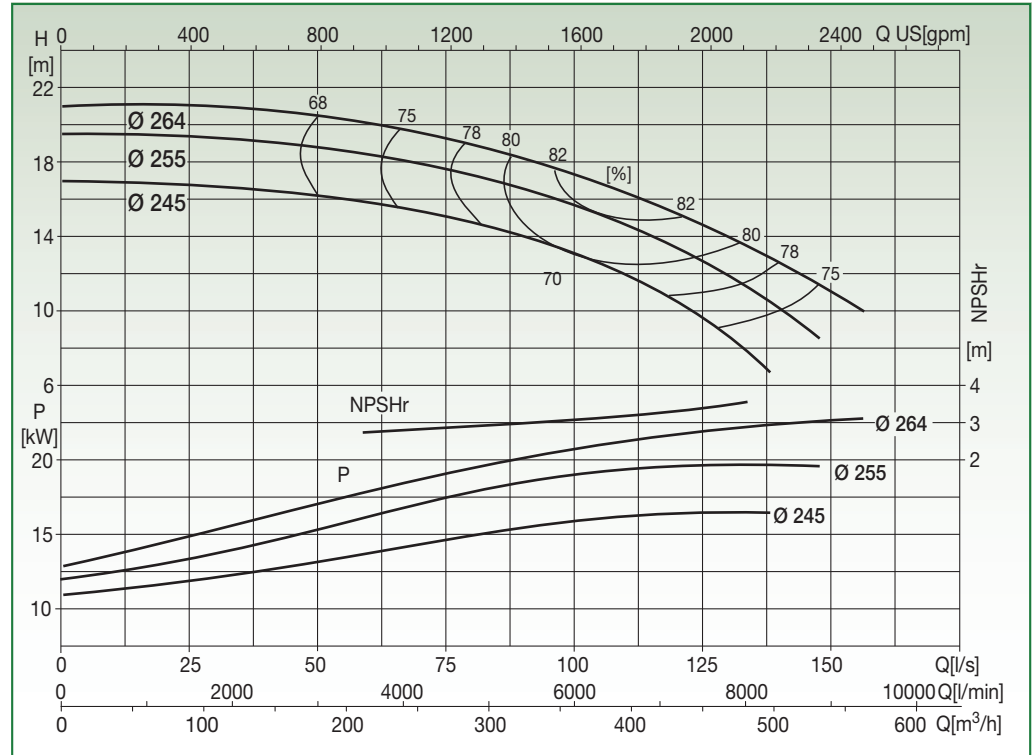
## N4SG 200-26

## EN 733 STANDARD PUMP 1450 rpm



Liquid temp.: -10°C +120°C  
Max. ambient temp.: +40°C

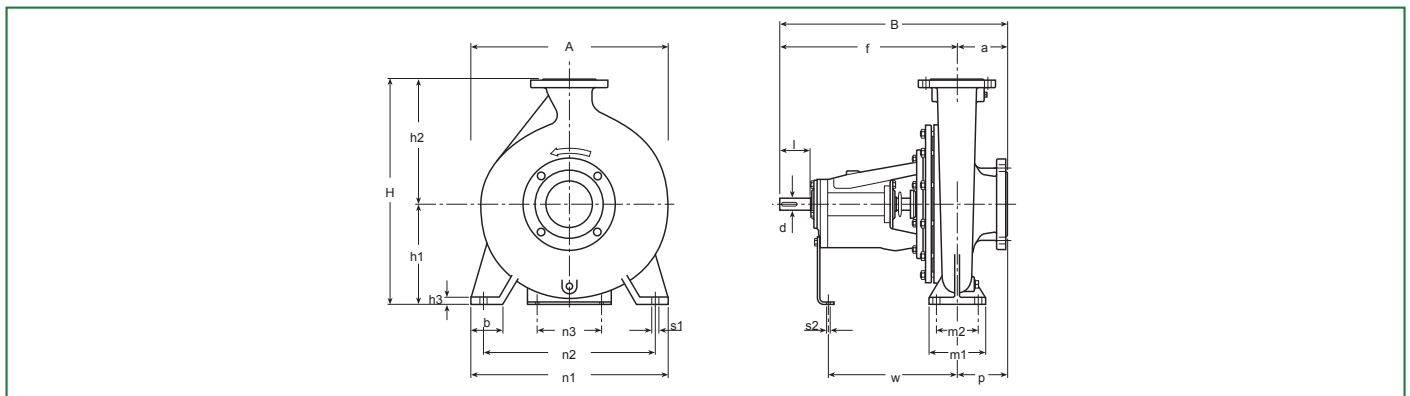
Special versions on request



Test to UNI EN ISO 9906 level 2 - Test liquid: water ( $\rho = 1000 \text{ kg/m}^3$ , kinematic viscosity  $\nu = 1 \text{ mm}^2/\text{s}$ )  
Tolerance on performance curves to UNI EN ISO 9906 Annex A

## PERFORMANCE DATA

Code	Type	Motor P2 Rated		Capacity										
		[kW]	[HP]	l/s	0	25	50	75	100	125	137,5	147,5	155	
10038084	N4SG 200-26.245	18,5	25	H [m]	17	16,8	16,2	15,1	13,1	9,6	6,8			
10038085	N4SG 200-26.255	22	30		19,5	19,3	18,8	17,6	15,6	12,6	10,6	8,5		
10038231	N4SG 200-26.264	30	40		21	21,1	20,5	19,3	17,3	14,6	12,9	11,4	10	



## DIMENSIONAL DATA

Type	DNA	DNM	Pump														Shaft		Key	Weight [kg]	A [mm]	B [mm]	H [mm]	Area [m²]	Vol. [m³]	
			a	f	h <sub>1</sub>	h <sub>2</sub>	b	m <sub>1</sub>	m <sub>2</sub>	n <sub>1</sub>	n <sub>2</sub>	n <sub>3</sub>	h <sub>3</sub>	s <sub>1</sub>	s <sub>2</sub>	w	p	d								l
N4SG 200-26	250	200	180	553	315	450	100	200	150	550	450	110	20	28	14	393	180	42	110	12x8	206	550	733	765	0,40	0,31