

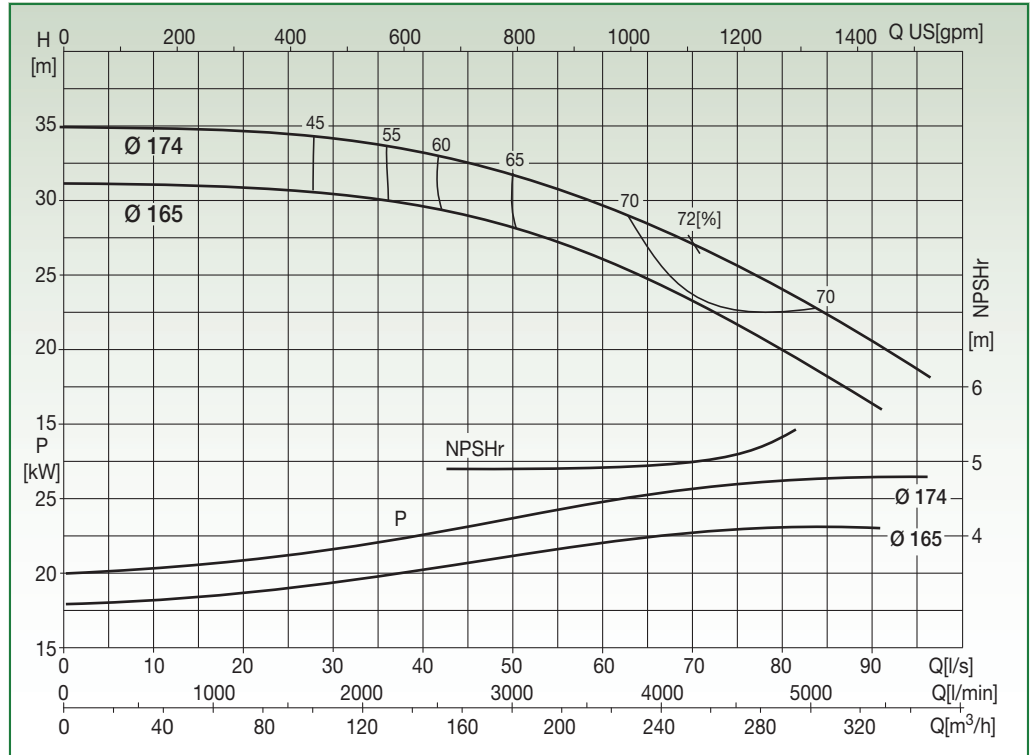
## N2SG 100-16

## EN 733 STANDARD PUMP 2900 rpm



Liquid temp.: -10°C +120°C  
Max. ambient temp.: +40°C

Special versions on request

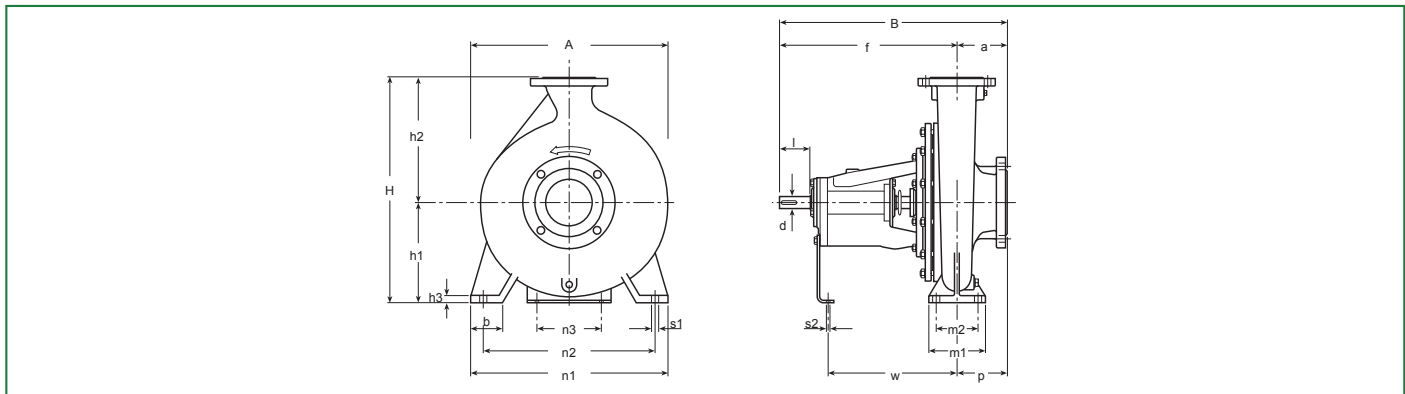


Test to UNI EN ISO 9906 level 2 - Test liquid: water ( $\rho = 1000 \text{ kg/m}^3$ , kinematic viscosity  $\nu = 1 \text{ mm}^2/\text{s}$ )  
Tolerance on performance curves to UNI EN ISO 9906 Annex A

BARE SHAFT

## PERFORMANCE DATA

Code	Type	Motor P2 Rated		Capacity													
				Capacity													
		[kW]	[HP]	l/s	0	10	20	30	40	50	60	70	80	90	95		
10038025	N2SG 100-16.165	30	40	H	31,2	31,1	30,9	30,4	29,6	28,2	26,1	23,3	20	16,4			
10038026	N2SG 100-16.174	30	40	[m]	35	34,8	34,6	34,2	33,2	31,7	29,6	27	24,1	20,6	18,7		



## DIMENSIONAL DATA

Type	DNA	DNM	Pump														Shaft		Key	Weight [kg]	A [mm]	B [mm]	H [mm]	Area [m²]	Vol. [m³]	
			a	f	h <sub>1</sub>	h <sub>2</sub>	b	m <sub>1</sub>	m <sub>2</sub>	n <sub>1</sub>	n <sub>2</sub>	n <sub>3</sub>	h <sub>3</sub>	s <sub>1</sub>	s <sub>2</sub>	w	p	d								l
N2SG 100-16	125	100	125	470	200	280	30	160	120	340	260	110	Hi	18	M	342	125	32	80	10x8	71	340	595	480	0,20	0,10