

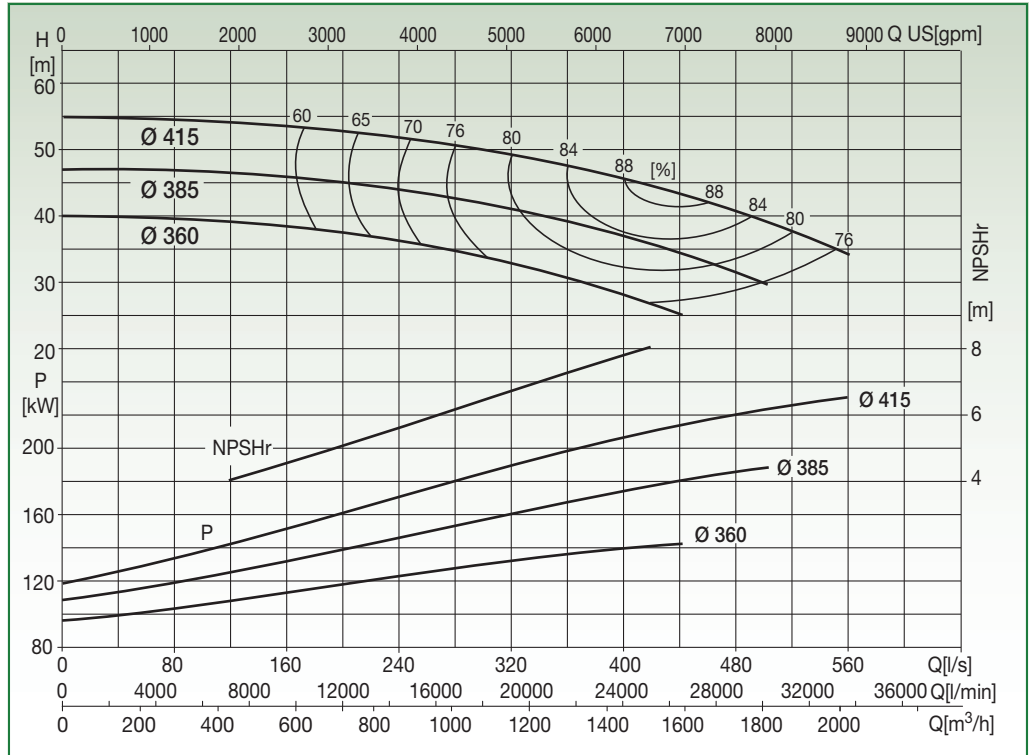
# N4SG 300-40

# EN 733 STANDARD PUMP 1450 rpm



Liquid temp.: -10°C +120°C  
Max. ambient temp.: +40°C

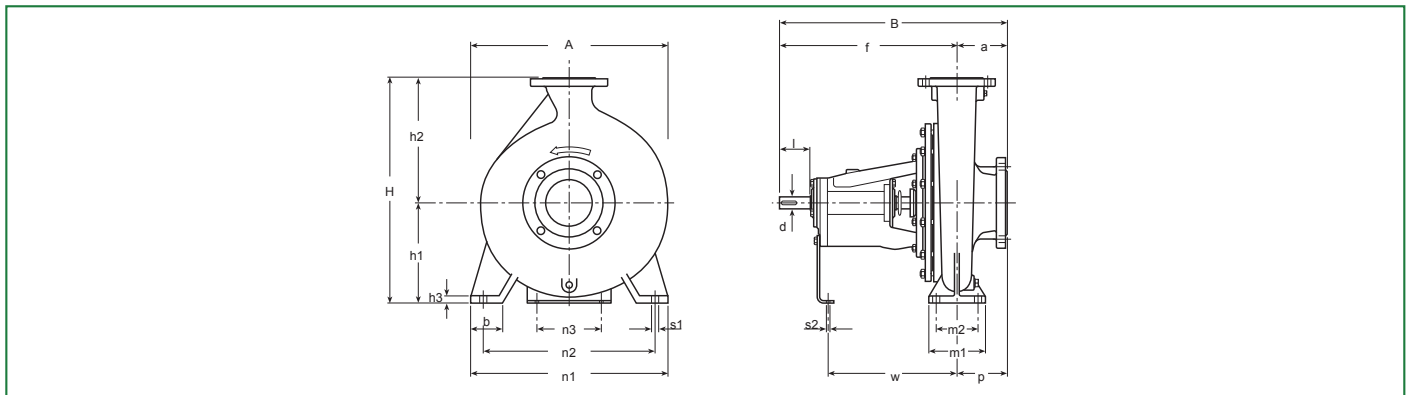
Special versions on request



Test to UNI EN ISO 9906 level 2 - Test liquid: water ( $\rho = 1000 \text{ kg/m}^3$ , kinematic viscosity  $\nu = 1 \text{ mm}^2/\text{s}$ )  
Tolerance on performance curves to UNI EN ISO 9906 Annex A

## PERFORMANCE DATA

Code	Type	Motor P2 Rated		Capacity										
		[kW]	[HP]	l/s	0	80	160	240	320	400	440	480	560	
10038239	N4SG 300-40.360	160	215	H [m]	40,1	39,5	38,5	36,3	32,9	28	25,2			
10038240	N4SG 300-40.385	200	270		46,9	46,9	45,9	43,9	41,1	36,9	34,5	31,4		
10038241	N4SG 300-40.415	250	335		55	54,6	53,6	51,7	49,3	45,7	43,3	40,7	34,3	



## DIMENSIONAL DATA

Type	DNA	DNM	Pump														Shaft		Key	Weight [kg]	A [mm]	B [mm]	H [mm]	Area [m²]	Vol. [m³]									
			a	f	h <sub>1</sub>	h <sub>2</sub>	b	m <sub>1</sub>	m <sub>2</sub>	n <sub>1</sub>	n <sub>2</sub>	n <sub>3</sub>	h <sub>3</sub>	s <sub>1</sub>	s <sub>2</sub>	w	p	d								l								
N4SG 300-40	350	300	-	-	-	-	-	-	-	-	-	-	-	-	-	-	-	-	-	-	-	-	-	-	-	-	-	-	-	-	-	-	-	-

BARE SHAFT