

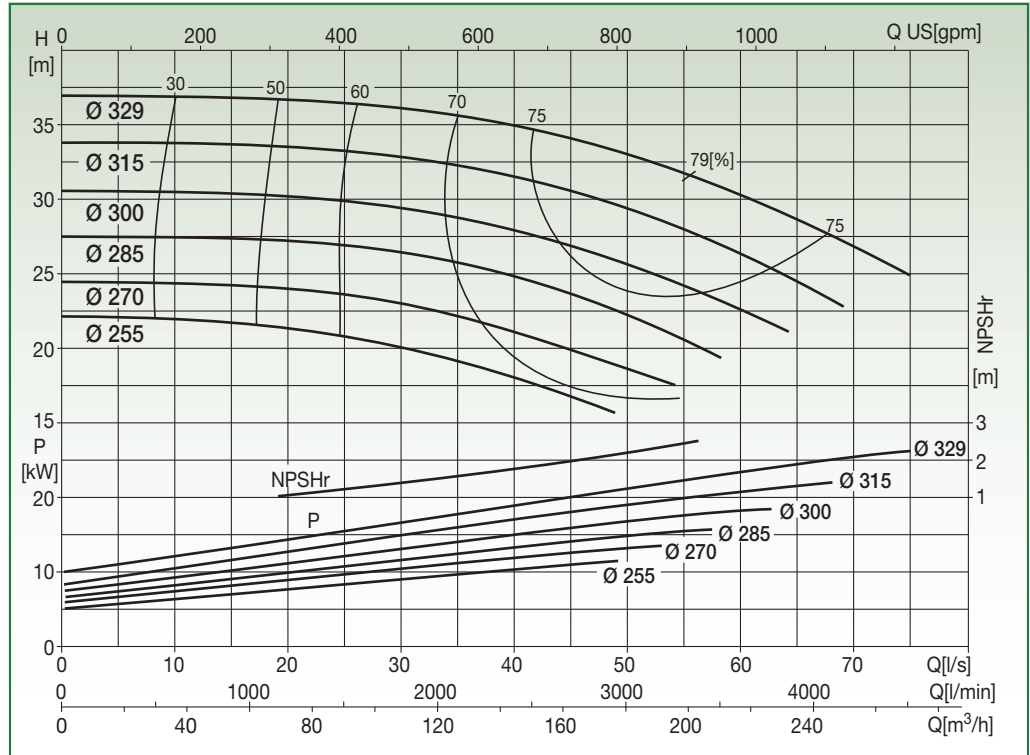
## N4SG 125-32

## EN 733 STANDARD PUMP 1450 rpm



Liquid temp.: -10°C +120°C  
Max. ambient temp.: +40°C

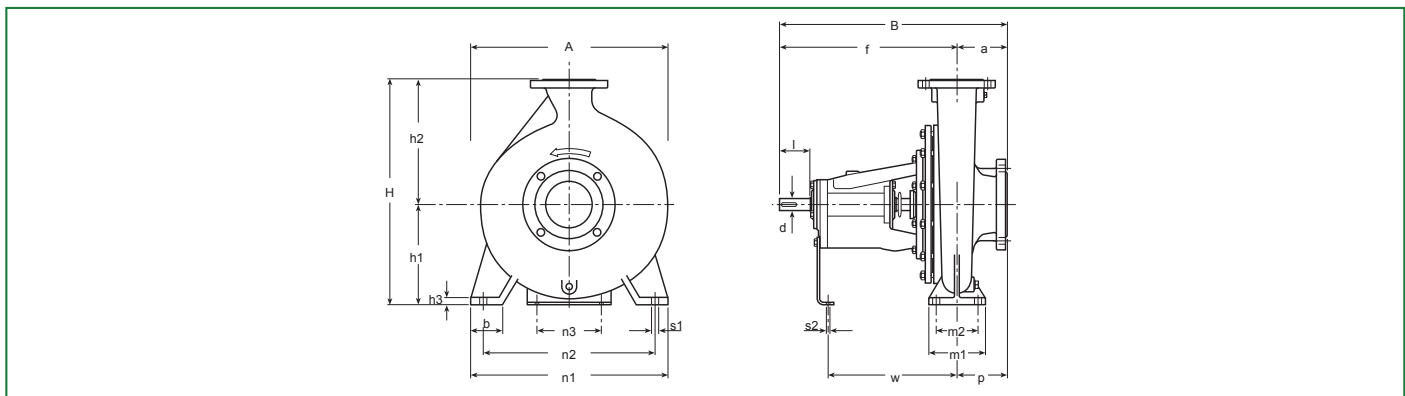
Special versions on request



Test to UNI EN ISO 9906 level 2 - Test liquid: water ( $\rho = 1000 \text{ kg/m}^3$ , kinematic viscosity  $\nu = 1 \text{ mm}^2/\text{s}$ )  
Tolerance on performance curves to UNI EN ISO 9906 Annex A

## PERFORMANCE DATA

| Code     | Type            | Motor P2 Rated |      | Capacity |      |      |      |      |      |      |      |      |      |      |      |      |  |
|----------|-----------------|----------------|------|----------|------|------|------|------|------|------|------|------|------|------|------|------|--|
|          |                 | [kW]           | [HP] | l/s      | 0    | 10   | 20   | 30   | 40   | 45   | 50   | 55   | 60   | 65   | 70   | 75   |  |
|          |                 |                |      | m³/h     | 0    | 36   | 72   | 108  | 144  | 162  | 180  | 198  | 216  | 234  | 252  | 270  |  |
|          |                 |                |      | H [m]    | 22,1 | 22   | 21,3 | 20,1 | 18   | 16,8 |      |      |      |      |      |      |  |
| 10038196 | N4SG 125-32.255 | 15             | 20   |          | 24,5 | 24,4 | 24   | 23   | 21,1 | 19,9 | 18,7 |      |      |      |      |      |  |
| 10038197 | N4SG 125-32.270 | 15             | 20   |          | 27,5 | 27,4 | 27,2 | 26,4 | 24,8 | 23,7 | 22,2 | 20,6 |      |      |      |      |  |
| 10038198 | N4SG 125-32.285 | 18,5           | 25   |          | 30,5 | 30,4 | 30,2 | 29,4 | 27,9 | 26,9 | 25,6 | 24,2 | 22,6 |      |      |      |  |
| 10038199 | N4SG 125-32.300 | 18,5           | 25   |          | 33,7 | 33,6 | 33,5 | 32,8 | 31,5 | 30,5 | 29,4 | 27,9 | 26,3 | 24,5 |      |      |  |
| 10038200 | N4SG 125-32.315 | 30             | 40   |          | 37   | 36,9 | 36,7 | 36,1 | 34,9 | 34,1 | 33   | 31,8 | 30,3 | 28,7 | 26,8 | 24,9 |  |
| 10038201 | N4SG 125-32.329 | 30             | 40   |          |      |      |      |      |      |      |      |      |      |      |      |      |  |



## DIMENSIONAL DATA

| Type        | DNA | DNM | Pump |     |                |                |     |                |                |                |                |                |                |                |                |     | Shaft |    | Key | Weight [kg] | A [mm] | B [mm] | H [mm] | Area [m²] | Vol. [m³] |      |
|-------------|-----|-----|------|-----|----------------|----------------|-----|----------------|----------------|----------------|----------------|----------------|----------------|----------------|----------------|-----|-------|----|-----|-------------|--------|--------|--------|-----------|-----------|------|
|             |     |     | a    | f   | h <sub>1</sub> | h <sub>2</sub> | b   | m <sub>1</sub> | m <sub>2</sub> | n <sub>1</sub> | n <sub>2</sub> | n <sub>3</sub> | h <sub>3</sub> | s <sub>1</sub> | s <sub>2</sub> | w   | p     | d  |     |             |        |        |        |           |           | l    |
| N4SG 125-32 | 150 | 125 | 140  | 530 | 280            | 355            | 100 | 200            | 150            | 500            | 400            | 110            | 18             | 23             | 14             | 370 | 140   | 42 | 110 | 12x8        | 163    | 500    | 670    | 635       | 0,34      | 0,21 |

BARE SHAFT