

3" D

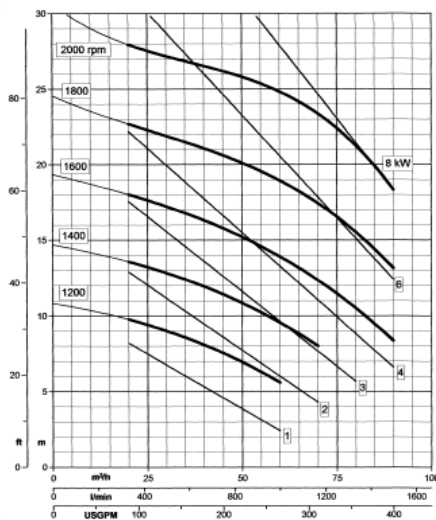
VACUUM-PRIME UNIT DUO 3" D/ J85 TWGMHT/NS45



Features

- Automatic dry priming with patented separation system
- Robust, compact construction
- No oil emission to atmosphere
- Lower noise level
- Lower operating costs
- Ease of inspection and maintenance
- Fuel tank for over 24 hours operation
- Hand pump to drain oil sump

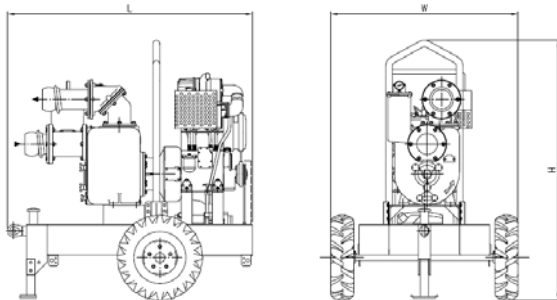
Performance



Specifications

- Max. water capacity: 90 m³/h
- Max. head: 24 m
- Speed: 1800 RPM
- Size of solids handled: 40 mm
- Cast iron construction
- Rubber faced wear plates
- Silicon carbide mechanical seal with automatic lubricator
- Hatz 1D81C encapsulated diesel engine, continuous power output: 6 kW at 1800 RPM
- Electric start
- Oil free vacuum pump: no inspection required
- Easily removable galvanised steel lifting hook

Overall dimensions - Weight



L	W	H	Weight
1460mm	1130mm	1530mm	370 kg

Applications

- Wellpoint dewatering systems
- Horizontal drainage with drainage hoses
- Construction site dewatering
- Sewage by-pass
- Quarries
- Sludge and slurry

Code:

List price:

varisco
a solid name in fluids

VARISCO S.p.A.
Zona Industriale Nord - 35129 PADOVA - ITALIA
Direzione e Uffici: Terza Strada, 9 / Produzione e magazzini: Prima Strada, 37
Tel. +39 049 8294111 - international +39 049 8294111
Fax +39 049 8294373 +39 049 8076762
italia@variscospa.com export@variscospa.com
www.variscospa.com

AZIENDA CON SISTEMA
GESTIONE QUALITA'
CERTIFICATO
UNI EN ISO 9001-2000